



PROJECT		REF		REV	ITEM CODE	
LOCATION		DATE			PAGE	

SANITARY WARE SPECIFICATION SHEET

Item Descriptions	American Standard (PRC) Easy comfort raised height toilet seat with rail	Illustration/ Drawing
Dimensions	Refer to Drawing	
Model	COASCA02-0000220C0	
Material	HDPE (Seat) / Steel (Handle)	
Manufacturer	American Standard (PRC)	
Source	Acme Sanitary Ware Co. Ltd Mr. Eric Wong/ Mr. Don Yuen	
Contact Tel/Fax	(852) 2388-7171 / (852) 2710-8012	
E-mail	acme@acmesanitary.com.hk	
Website	www.acmesanitary.com.hk	

Detail specifications

- Easy Comfort Raised Height Toilet Seat with Rail
- Rugged and durable (15,000 cycles)
- Raise the seat by 5cm to solve the problem of inconvenient movement when using the toilet.
- Resistant to humid and hot environments and household cleaning agents.
- High and low temperature resistance (-30 ° to +70 °).
- Durable as new (Level 10 salt spray test)
- Fixed and reliable, not moving
- Max operation loading: 100kg
- Max loading of handle: 50kg (one-side)
- Certification: JCT2102-2012

Rugged and durable (15,000 cycles)

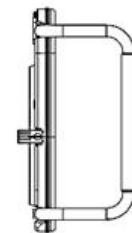
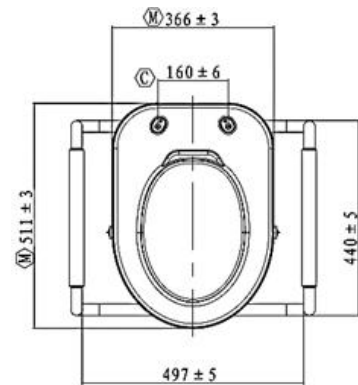
Raise the seat by 5cm to solve the problem of inconvenient movement when using the toilet.



Can be used with toilets of different sizes.

Fixed and reliable, not moving.

- Resistant to humid and hot environments and household cleaning agents.
- High and low temperature resistance (-30 ° to +70 °).
- Durable as new (Level 10 salt spray test)



* All information of the above is for the reference only. No prior notice is made if any changes.



Acme Sanitary Ware Co. Ltd.

1/F, Acme Building, 22-28 Nanking Street, Kowloon, Hong Kong

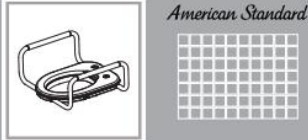




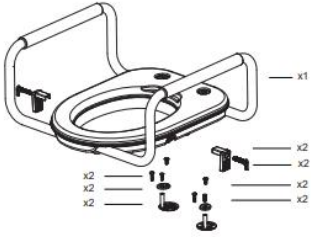
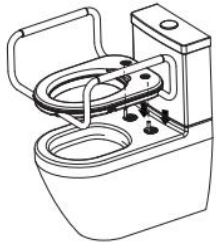
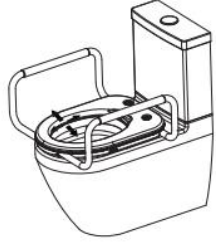

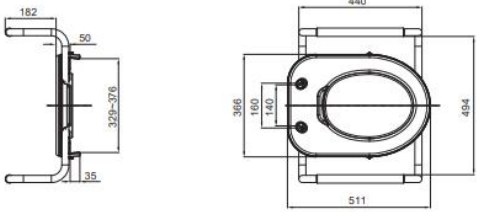
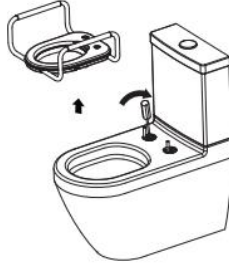
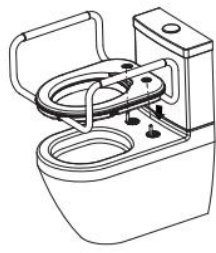

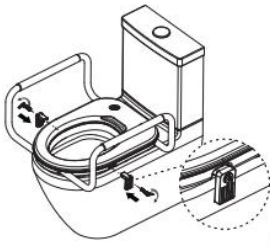
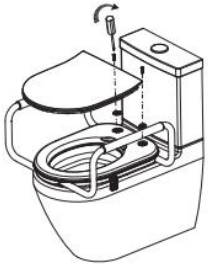
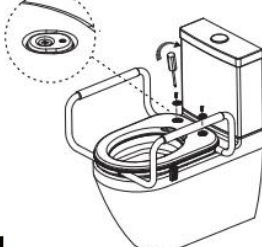
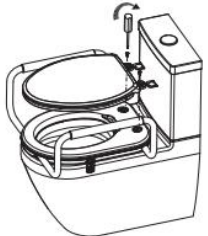
Tel: 2388 7171 Fax: 2710 8012

Email: acme@acmesanitary.com.hk

Website: www.acmesanitary.com.hk

American Standard

SANITARY WARE SPECIFICATION SHEET

<p>COASCA02-0000220C0</p> 		
	<div style="display: flex;"> <div style="flex: 1;">  <p style="text-align: center;">1</p> </div> <div style="flex: 1;">  <p style="text-align: center;">2</p> </div> </div>	
<p>COASCA02-0000220C0</p> 	<div style="display: flex;"> <div style="flex: 1;">  <p style="text-align: center;">3</p> </div> <div style="flex: 1;">  <p style="text-align: center;">4</p> </div> </div>	
<p style="text-align: center;"></p> 	<div style="display: flex;"> <div style="flex: 1;">  <p style="text-align: center;">5</p> </div> <div style="flex: 1;">  <p style="text-align: center;">6</p> </div> </div>	
<p style="text-align: center;"></p>  <p style="text-align: center;">7</p>  <p style="text-align: center;">8a</p>	<p>BEFORE YOU BEGIN 安装之前</p> <ul style="list-style-type: none"> • Thank you for selecting our products...products which have been the benchmarks of fine quality for years. To help ensure that the installation process will proceed smoothly, please read these instructions carefully before you begin. Also, review the recommended tools and materials list; carefully unpack and examine your new plumbing fixture. • ALL INSTALLATION PROCEDURES MUST COMPLY IN STRICT ACCORDANCE WITH APPLICABLE LOCAL PLUMBING AND BUILDING CODE. • This installation manual is only for installing the raised height toilet seat parts. For the toilet or seat & cover installing, please refer to relative manual. • Be careful to avoid the risk of product break or personal injury. • Pictures may not exactly define contour of china and components. <ul style="list-style-type: none"> • 感谢阁下选用我们的产品……我们的产品多年来一直是优良质量的标志。为了有助于安装顺利进行, 请您在开始安装之前仔细阅读这些指南, 也请查阅推荐的工具和材料表; 小心打开您的新产品。 • 所有的安装程序必须严格遵守当地的卫浴和建筑法规条例。 • 此安装说明书只针增高座厕垫部分的安装予以简要说明, 马桶及盖板的安装请分别参见相应的安装说明书。 • 小心轻放有避免产品破碎和人身伤害。 • 图片可能与真实产品不符, 请以实物为准。 	
 <p style="text-align: center;">8b</p> 	<p>NOTES 注意</p> <ul style="list-style-type: none"> • Do not use the product when water temperature is below zero degree centigrade. • 不要在零摄氏度以下水的环境中使用。 <p>CODE LIST 型号清单</p> <p>CODE: COASCA02-0000220C0 型号: COASCA02-0000220C0</p> <p>WARRANTY 质保</p> <p>The warranty of this product is consistent with ceramic products. 本产品质保年限与陶瓷产品保持一致。</p>	

Note:

* All information of the above is for the reference only. No prior notice is made if any changes.